

D3K2

Mulcher



Features:

360° Visibility

Easy viewing of the job site operating area PLUS a rearview camera.

Seat Mounted Controls

Mounted on the air suspension seats, these controls isolate the machine vibration from the operator, reducing operator fatigue.

Pressurized Cab

Heated and air conditioned cab offer comfortable working environment resulting in less operator fatigue and improved productivity.

Hinged Radiator Grill

Allows for easy clean out of radiator without the need for tools.

Tractor Platform

Balanced and rugged for operating in rough terrain and soft underfoot conditions.

Long Life Mulching Head

New Cat® HM518 mulcher frame is designed for longer life using cladding material in high wear areas.

Hydraulically Controlled

Mulcher conveniently operates with a hydraulically operated front door and adjustable push bar.

Closed Loop Hydrostatic Circuit

Delivers efficient, high performance power to the mulcher head.

Reversible Drum

Easier operation and improved productivity.

Drum Speed Bar Indicator

In-cab indicator, aids operator in managing ground speed and overall mulching productivity.

Engine

Cat C4.4 ACERT™ diesel engine meets U.S. EPA Tier 4 Final/ EU Stage IV emission standards.

Undercarriage

Cat Sealed and Lubricated Track with 406 mm (16 in) or 635 mm (25 in) track shoes provides superior flotation and stability for wide range of operating conditions.



D3K2 Mulcher Specifications

Engine

Engine Model	Cat C4.4 ACERT	
Rated Net Power @ 2,200 rpm		
SAE J1349	77.6 kW	104 hp
ISO 9249/EEC 80/1269	77.6 kW	104 hp
Bore	105 mm	4.13 in
Stroke	127 mm	5 in
Displacement	4.4 L	269 in ³

- Engine meets Tier 4 Final/Stage IV emission standards.

Weights

Operating Weight – XL	10 771 kg	23,746 lb
Operating Weight – LGP	11 203 kg	24,698 lb

- Specifications shown are for machine equipped with mulcher, cab ROPS, back-up alarm, operator, coolant, lubricants and full fuel tank.

Cab

Sound Levels:		
ISO 6396:2008	79 dB(A)	
SAE J1166 FEB2008	79 dB(A)	
ROPS	ISO 3471:2008	
FOPS	ISO 3449:2005 Level II	

Transmission

Drive Pumps	1	
Track Motors	2	
Relief Valve Settings	48 500 kPa	7,033 psi
Maximum Travel Speed – Forward	9 km/h	5.6 mph
Maximum Travel Speed – Reverse	10 km/h	6.2 mph

Air Conditioning System

The air conditioning system on this machine contains the fluorinated greenhouse gas refrigerant R134a (Global Warming Potential = 1430). The system contains 1.6 kg of refrigerant which has a CO₂ equivalent of 2.288 metric tonnes.

Undercarriage

Number of Rollers (each side)	6	
Number of Shoes (each side) – Sealed and Lubricated Track (SALT) Undercarriage	43	
Shoe Width – XL	406 mm	16 in
Shoe Width – LGP	635 mm	25 in
Length of Track on Ground – XL	2248 mm	89 in
Length of Track on Ground – LGP	2248 mm	89 in
Track Gauge – XL	1495 mm	59 in
Track Gauge – LGP	1725 mm	68 in
Ground Contact Area – XL	18 254 cm ²	2,829 in ²
Ground Contact Area – LGP	28 550 cm ²	4,425 in ²
Ground Pressure – XL	42.8 kPa	6.2 psi
Ground Pressure – LGP	30.0 kPa	4.2 psi

Service Refill Capacities

Fuel Tank	195 L	51.5 gal
Crankcase and Filter	11 L	2.91 gal
Final Drives, XL (each side)	10 L	2.6 gal
Final Drives, LGP (each side)	10 L	2.6 gal
Cooling System	22.4 L	5.92 gal
Transmission/Hydraulic Tank	59.5 L	15.7 gal
Diesel Exhaust Fluid (DEF) Tank	19 L	4.9 gal

Hydraulic Controls

Pump Output	68 L/min	17.7 gal/min
Relief Valve Settings	20 600 kPa	2,988 psi

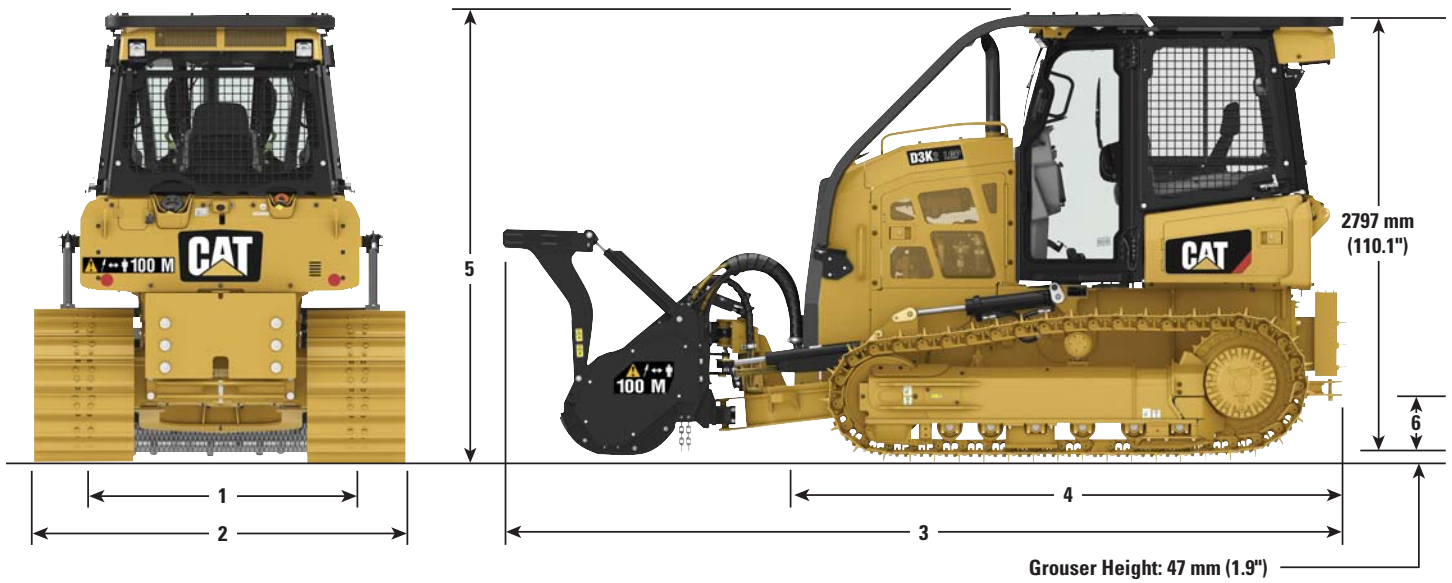
Retrieval Winch

Weight	764 kg	1,684 lb
Winch Drive	Hydraulic	
Control	Hydraulic	
Speed	Variable	
Rope Diameter – recommended	13 mm	0.5 in
Rope Diameter – optional	16 mm	0.63 in
Drum Capacity – recommended cable	85 m	279 ft
Drum Capacity – optional cable	78 m	256 ft
Maximum Line Pull – bare drum	14 583 kg	32,150 lb
Maximum Line Pull – full drum	9072 kg	20,000 lb
Maximum Line Speed – bare drum	15 m/min	50 ft/min
Maximum Line Speed – full drum	24 m/min	79 ft/min

D3K2 Mulcher Specifications

Dimensions

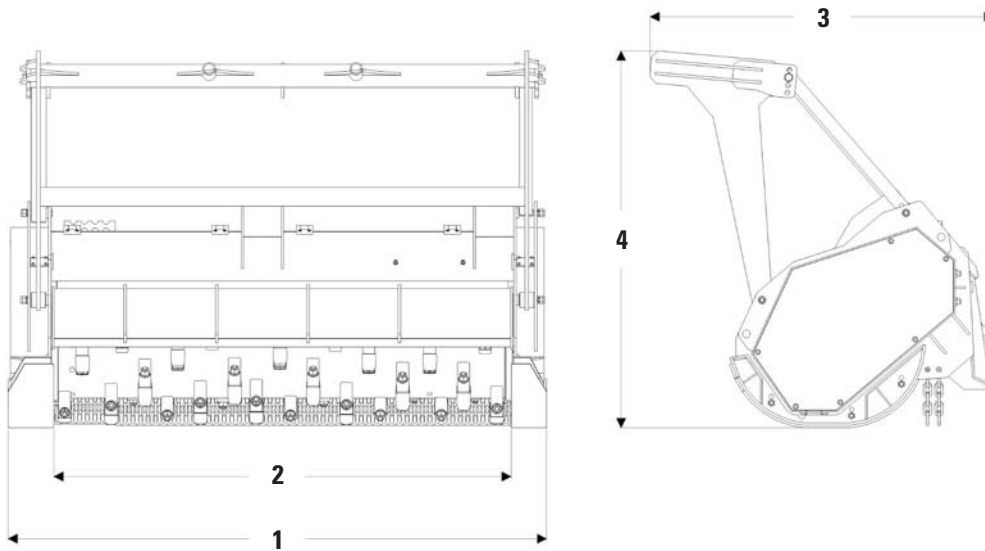
All dimensions are approximate.



	XL		LGP	
1 Track Gauge	1495 mm	58.9 in	1725 mm	67.9 in
2 Width of Tractor (standard shoes, no mulcher)	1901 mm	74.8 in	2360 mm	92.9 in
3 Overall Length (with blade)	4266 mm	168 in	4255 mm	167.6 in
4 Length of Basic Tractor (without mulcher)	3275 mm	128.9 in	3275 mm	128.9 in
5 Tractor Height	2845 mm	112 in	2763 mm	108.8 in
6 Ground Clearance	332 mm	13 in	332 mm	13 in

D3K2 Mulcher Specifications

Specifications



HM518

1 Overall Width	2122 mm	84 in
2 Working Width	1822 mm	72 in
3 Length	1354 mm	53 in
4 Overall Height	1480 mm	58 in
Lift Height	787 mm	31 in
Maximum Tilt	368 mm	14.5 in
Maximum Angle (either side)	25°	
Weight	1450 kg	3,197 lb
Drive Method	Polychain belt	
Motor	Closed loop hydrostatic	
Optimum Hydraulic Flow	114 L/min	30 gpm
Optimum Hydraulic Pressure	407 bar	5900 psi
Drum Speed Range	2,150-2,450 rpm	
Fixed Teeth Per Drum	38	

D3K2 Mulcher Specifications



HM518 Mulcher



Single bolt carbide tooth retention



Sweeps and screens



Mounting point same as blade



72 inch drum



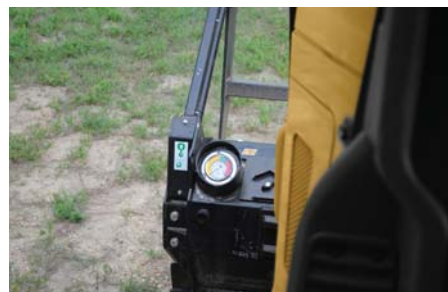
Bolt-on wear plates



Drum direction and speed bar



Rear guard and counterweight



Pressure gauge with color bars

D3K2 Mulcher Standard Equipment

Standard Equipment

Standard equipment may vary. Consult your Cat dealer for details.

ELECTRICAL

- Alternator, 12 volt, 120 Amp, heavy duty brushless
- Alarm, backup
- Batteries, heavy duty, maintenance free, 1,500 CCA
- Diagnostic connector
- Horn, electric
- Lights, halogen, 2 front and 2 rear
- Starter, electric, 12 volt

OPERATOR STATION

- ROPS/FOPS cab
- Cab, polycarbonate windows and air conditioning
- Seat, air suspended, cloth
- Seatbelt, retractable 76 mm (3 in)
- Foot pads, dash
- Electronic Monitoring System with:
 - Gauges for engine coolant temperature, hydraulic oil temperature and fuel level
 - Travel speed limiter, electronic
 - Engine RPM and gear display
 - Hour meter, electric
 - Engine air cleaner service indicator, electronic
 - Water-in-fuel indicator, electronic
 - Mulcher drum speed and direction bar
- Slope Indicate
- Throttle switch, rotary
- Controls, seat mounted, fore/aft adjustment
- Armrests, adjustable
- Mirror, rearview, inside
- Single pedal combining deceleration and braking functions
- Independent forward/reverse speed settings
- Power port, 12 volt
- Coat hook
- Storage compartment
- Cup holder
- Floor mat, rubber, heavy duty

MULCHER HYDRAULICS

- Hydraulics, 3 valve
- Load sensing hydraulics
- Single lever, three function control
- Hydraulic pump and oil
- Closed-loop hydrostatic circuit
- Axial Piston variable displacement pump and motor

POWER TRAIN

- Cat C4.4 ACERT diesel engine, turbocharged, Tier 4 Final/Stage IV certified with aftertreatment
- Aftercooler, Air-to-Air (ATAAC)
- Aluminum bar plate cooling system (radiator, power train)
- Air cleaner with precleaner, automatic dust ejection and underhood intake
- Dual path, closed-loop hydrostatic transmission
- Electric fuel priming pump
- Fuel/water separator

UNDERCARRIAGE

- SALT Undercarriage
- 6 roller track frame
- Track rollers, lifetime lubricated
- Carrier rollers
- Track adjusters, hydraulic
- Guards, front/rear guiding
- Master link

OTHER STANDARD EQUIPMENT

- Cat Product Link™ PL641 Cellular
- C-Frame, VPAT, hydraulic cylinders and lines
- Lockable engine enclosures
- Front pull device
- Ecology drains (engine, power train and implement oil and engine coolant)
- Scheduled oil sampling ports (engine, power train implement oil)
- Vandalism protection
- Hinged radiator grill
- Rearview camera

ANTIFREEZE

- Extended life coolant, -37° C (-35° F)

GUARDS

- Guard, track guiding, center
- Screen, rear, cab
- Screen, side, cab
- Sweeps, front
- Sweeps, rear
- Heavy duty crankcase guard

Optional Equipment

Optional equipment may vary. Consult your Cat dealer for details.

OPERATOR STATION

- Radio, AM/FM, Bluetooth

GUARDS

- Guard, track guiding, center
- Screen, rear, cab
- Screen, side, cab
- Sweeps, front
- Sweeps, rear

BLADES

- VPAT XL blade
- VPAT LGP blade
- VPAT Intermediate blade

REAR ATTACHMENTS

- Counterweight, rear
- Winch, retrieval

STARTING AIDS

- Heater, engine, coolant, 120 volt
- Starting aid, ether

ANTIFREEZE

- Extended life coolant, -50°C (-58°F)

FIELD INSTALLED ATTACHMENT

- Winch, retrieval

D3K2 Mulcher

For more complete information on Cat products, dealer services, and industry solutions, visit us on the web at www.cat.com

© 2017 Caterpillar
All rights reserved

Materials and specifications are subject to change without notice. Featured machines in photos may include additional equipment. See your Cat dealer for available options.

CAT, CATERPILLAR, SAFETY.CAT.COM, their respective logos, "Caterpillar Yellow" and the "Power Edge" trade dress, as well as corporate and product identity used herein, are trademarks of Caterpillar and may not be used without permission.

AEHQ7995-01 (07-2017)
Replaces AEHQ7995

