



# MLT 960

MULTI-PURPOSE telescopic loader



# PERFORMANCE

## ■ POWER and ■ PRECISION

### ■ CONTINUOUSLY VARIABLE TRANSMISSION (CVT)

The new CVT gearbox provides smooth drive operation while maintaining maximum tractive effort at any speed.

The transmission control reacts to the demand on the machine to provide the correct torque and speed automatically without interruption.

By enabling the engine to run at its most efficient speed, the CVT system provides better fuel economy than other transmission systems.

### ■ HEAVY-DUTY CAPACITY

**13,200 lbs. [6000kg]**

### ■ LIFT HEIGHTS UP TO

**29'6" [9.0m]**

### ■ TURNING RADIUS

**14'1" [4.3m]**



### ■ 141 HP

Interim Tier IV-certified John Deere diesel engine utilizes diesel particulate filter (DPF) technology.

With an electronic regulating device, fan speed is automatically controlled according to engine temperature, resulting in significant fuel savings.

### ■ LOAD SENSING HYDRAULICS

A variable displacement piston pump brings full hydraulic system pressure when it's needed, while offering higher efficiency and less heat than a standard gear-pump.



## ERGONOMICS



### JSM (JOYSTICK, SWITCH & MOVE)

The exclusive Manitou all-in-one joystick allows the left hand to remain on the steering wheel while the right hand controls all hydraulic and machine movement functions. Boom hoist and bucket dump may be operated simultaneously.

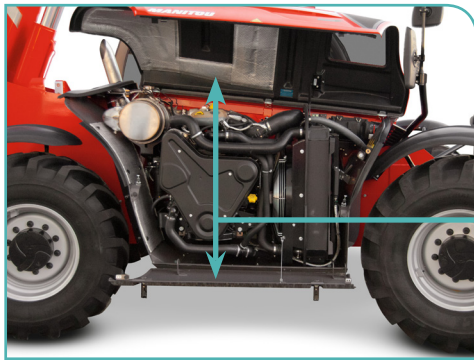
### DELUXE CAB WITH HEAT & A/C

Features include air conditioning, CVT control display, hand throttle, inching pedal, working lights, and pneumatic seat with active suspension.



### INTERACTIVE DASHBOARD

All machine notifications are located in one clear, easy to read display. Fuel level, engine temperature, wheel alignment, tachometer, speed, hour meter, warning lights and more information are displayed.



### AUTO-REVERSING FAN

Cleans out debris that accumulates on the coolers and radiators.

### EASY-OPEN ACCESS

Engine hood lifts out of the way and lower panel drops down for full access to all major components.

### THREE STEERING MODES

2-wheel, 4-wheel and crab.

### INCHING PEDAL

Located next to the brake, this dedicated pedal lets you manage forward movement separate from hydraulic-powered attachment speed.

## VARIETY OF ATTACHMENTS available to tackle the job at hand.



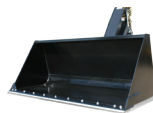
BALE CARRIAGE



BALE CLAMP



BALE GRAB



BUCKET



SCRAP GRAPPLE



SWEeper



PALLET FORKS

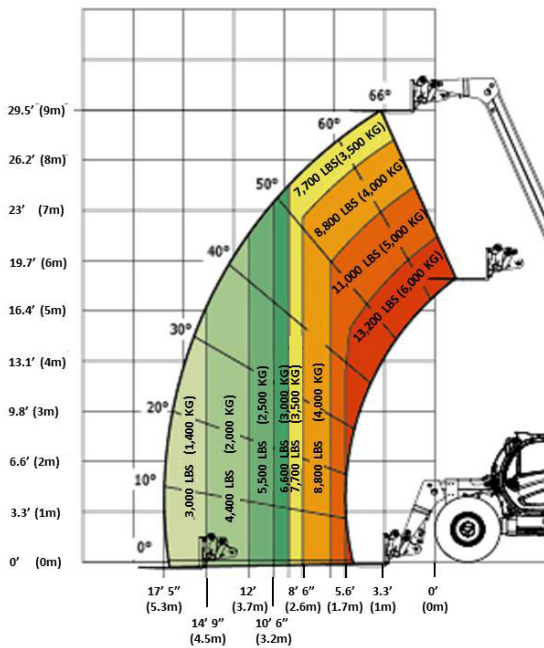


ROCK BUCKET



BUNKER BUSTER DEFACER

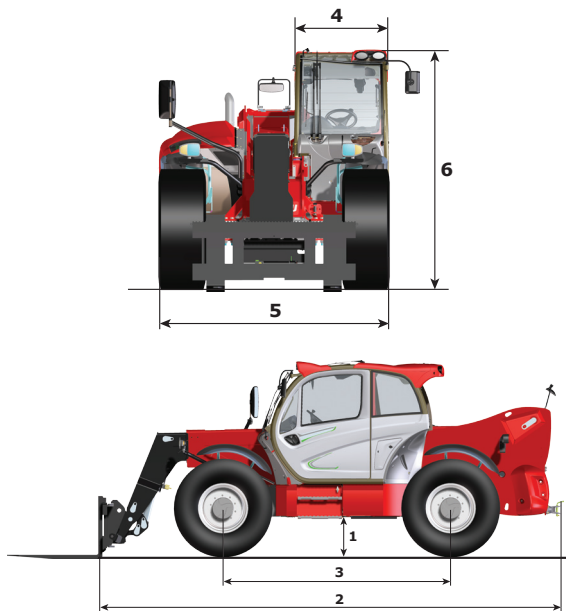
# MLT 960 TELESCOPIC LOADER SPECIFICATIONS & DIAGRAMS



Load charts based on 24" load center per ANSI/ITSDF B56.6

## DIMENSION REFERENCE DIAGRAMS

1	Ground Clearance (mm)	18" (457)
2	Overall Length (m)	20' (6.10)
3	Wheel Base (m)	9'10" (3)
4	Cab Width (mm)	3'3" (991)
5	Overall Width (mm)	8'2" (2489)
6	Overall Height (mm)	8'4" (2540)



MLT 960		
KEY PERFORMANCE	Maximum Lift Capacity – 24" Load Center (kg)	13,200 lbs. (6000)
	Maximum Lift Height (m)	29'6" (9.0)
	Capacity at Maximum Lift Height (kg)	7,700 lbs. (3500)
	Maximum Forward Reach (m)	17'5" (5.3)
	Capacity at Maximum Reach (kg)	3,000 lbs. (1400)
	Cycle Times – Unloaded / Loaded	
	Lifting	9.5 / 8.5 sec.
	Lowering	6.1 / 6.5 sec.
	Boom Extension	9.7 / 7.0 sec.
	Boom Retraction	7.8 / 6.0 sec.
ENGINE	Type	John Deere
	Power (kW)	141 hp (104)
	Displacement (cm <sup>3</sup> )	275 cu.in (4500)
	Maximum Torque @ 1500 rpm (Nm)	394 ft.lbs. (534)
	Injection / Cooling	Direct / Water
TRANSMISSION	Type	Dana Continuously Variable Transmission
	Maximum Travel Speed (km/hr)	25 mph (40.0)
HYDRAULICS	Pump Type	Variable Displacement Piston
	Pressure (bar)	3900 psi (270)
	Flow Rate (L/min.)	47.6 gpm (180)
CAPACITIES	Hydraulic Oil (L)	40 gal. (153)
	Fuel Tank (L)	35.6 gal. (135)
SPECIFICATIONS	Weight – with Forks (kg)	25,794 lbs. (11,700)
	Turning Radius (m)	14'1" (4.3)
	Ground Clearance (mm)	18" (457)
	Overall Length (m)	20' (6.10)
	Wheel Base (m)	9'10" (3)
	Cab Width (mm)	3'3" (991)
	Overall Width (mm)	8'2" (2489)
	Overall Height (mm)	8'4" (2540)
	Breakout Force (daN)	16,411 lbf. (7300)
	Maximum Drawbar Pull (daN)	22,480 lbf. (19,000)
TIRES		500/70-R24

This publication in no way constitutes an offer and the company reserves the right to alter specifications without notice.

