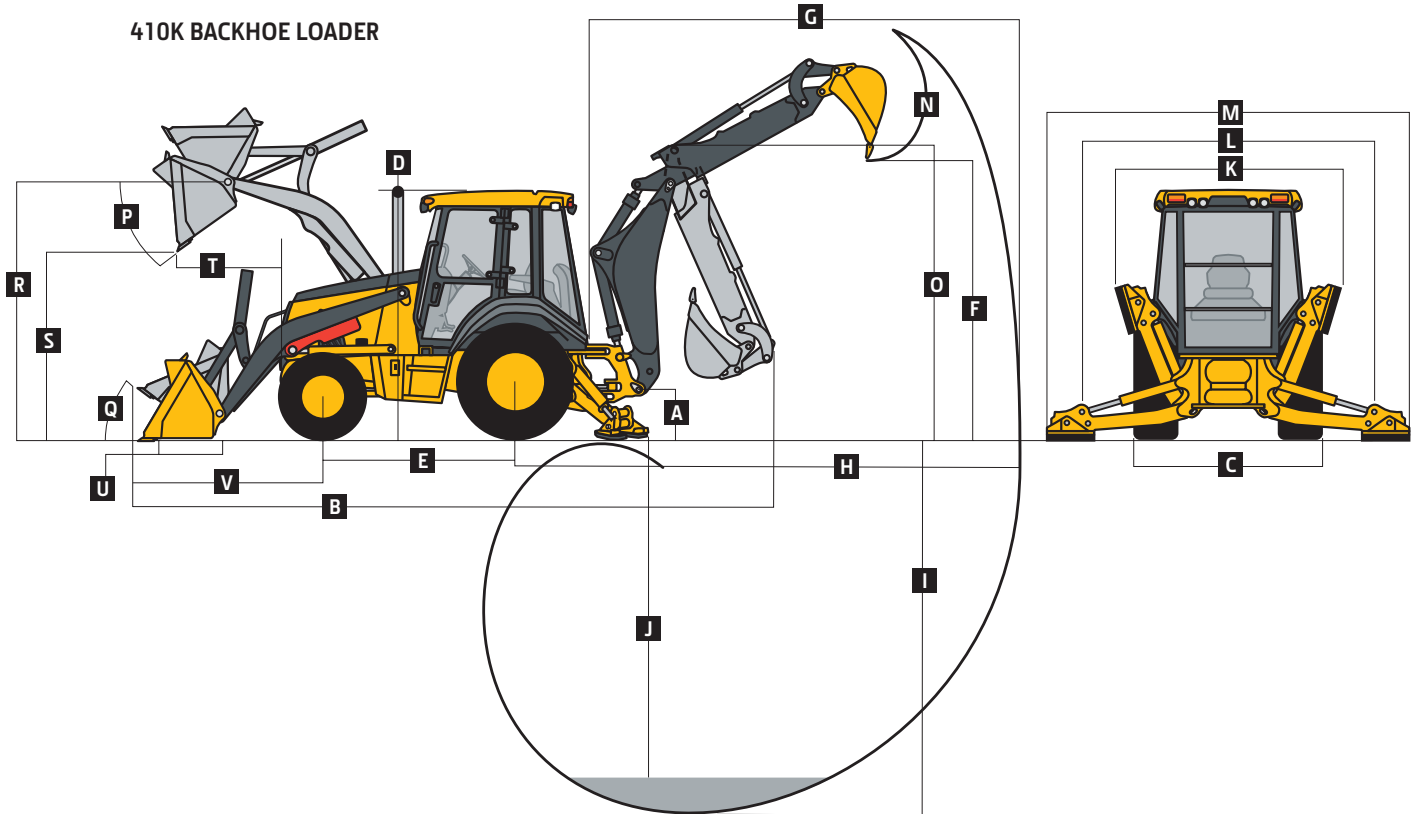
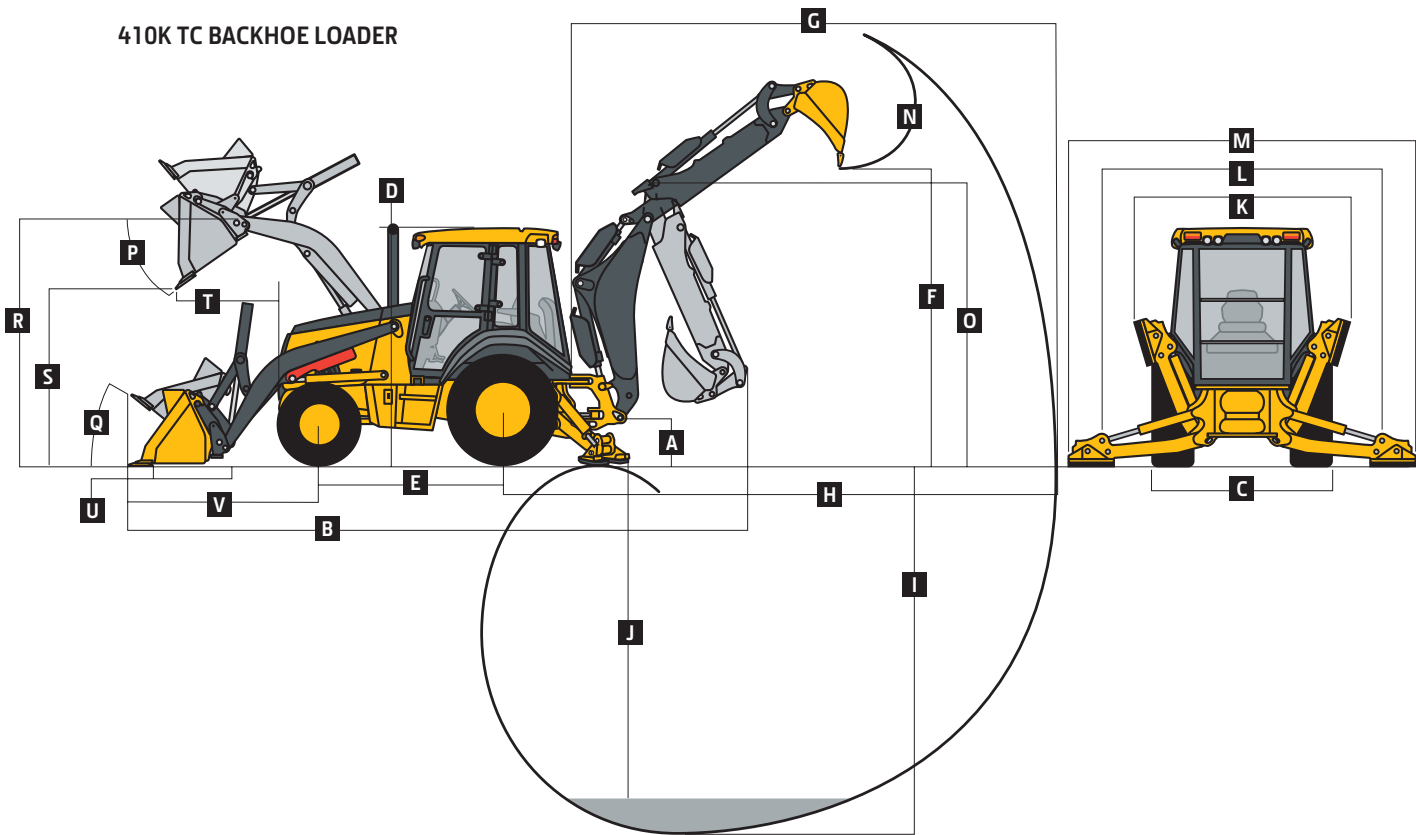


Overall Dimensions	410K	410K TC
A Ground Clearance, Minimum	356 mm (14 in.)	356 mm (14 in.)
B Overall Length, Transport	7.29 m (23 ft. 11 in.)	7.46 m (24 ft. 6 in.)
C Width Over Tires	2.18 m (7 ft. 2 in.)	2.18 m (7 ft. 2 in.)
D Height to Top of ROPS/Cab	2.82 m (9 ft. 3 in.)	2.82 m (9 ft. 3 in.)
E Length from Axle to Axle		
Non-Powered Front Axle	2.11 m (6 ft. 11 in.)	—
MFWD Axle	2.14 m (7 ft. 0 in.)	2.14 m (7 ft. 0 in.)

410K BACKHOE LOADER



410K TC BACKHOE LOADER



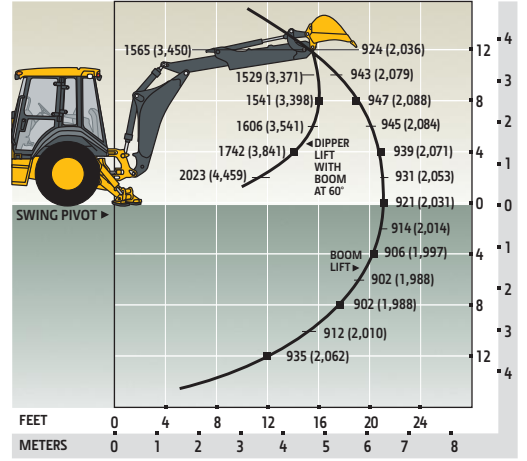
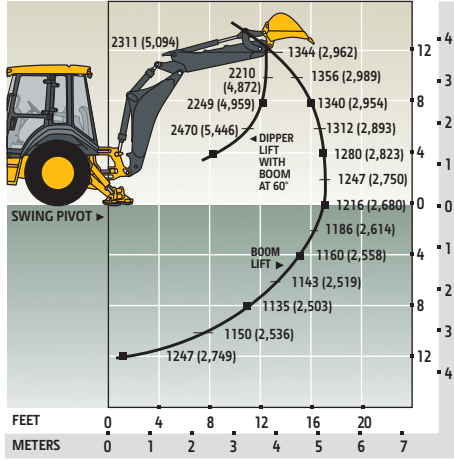
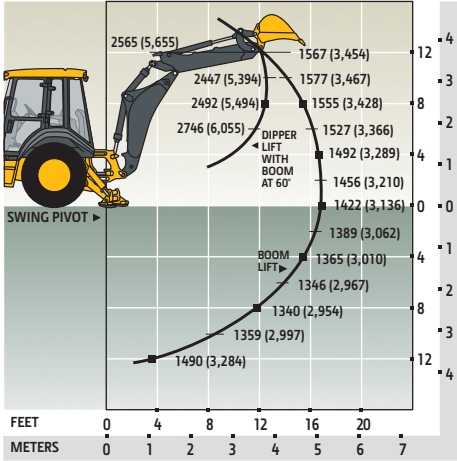
Backhoe Dimensions/Performance		410K			410K TC	
Backhoe specifications are with 610-mm x 0.21-m³ (24 in. x 7.5 cu. ft.) bucket						
Bucket Range		305–762 mm (12–30 in.)			305–762 mm (12–30 in.)	
Digging Force						
Bucket Cylinder		67.7 kN (15,230 lb.)			68.6 kN (15,430 lb.)	
Crowd Cylinder		38.9 kN (8,741 lb.)			38.9 kN (8,741 lb.)	
Swing Arc		180 deg.			180 deg.	
Operator Control		2 levers			2 joysticks	
		<i>With Optional Extendable Dipperstick</i>			<i>With Extendable Dipperstick</i>	
		<i>With Standard Backhoe</i>	<i>Retracted</i>	<i>Extended</i>	<i>Retracted</i>	<i>Extended</i>
F Loading Height, Truck Loading Position		3.81 m (12 ft. 6 in.)	3.86 m (12 ft. 8 in.)	4.72 m (15 ft. 6 in.)	3.86 m (12 ft. 8 in.)	4.72 m (15 ft. 6 in.)
G Reach from Center of Swing Pivot		5.99 m (19 ft. 8 in.)	6.07 m (19 ft. 11 in.)	7.21 m (23 ft. 8 in.)	6.07 m (19 ft. 11 in.)	7.21 m (23 ft. 8 in.)
H Reach from Center of Rear Axle		7.11 m (23 ft. 4 in.)	7.19 m (23 ft. 7 in.)	8.33 m (27 ft. 4 in.)	7.19 m (23 ft. 7 in.)	8.33 m (27 ft. 4 in.)
I Digging Depth (SAE maximum)		4.83 m (15 ft. 10 in.)	4.90 m (16 ft. 1 in.)	6.10 m (20 ft. 0 in.)	4.90 m (16 ft. 1 in.)	6.10 m (20 ft. 0 in.)
J Digging Depth (SAE)						
610-mm (2 ft.) Flat Bottom		4.78 m (15 ft. 8 in.)	4.85 m (15 ft. 11 in.)	6.07 m (19 ft. 11 in.)	4.85 m (15 ft. 11 in.)	6.07 m (19 ft. 11 in.)
2440-mm (8 ft.) Flat Bottom		4.45 m (14 ft. 7 in.)	4.55 m (14 ft. 11 in.)	5.82 m (19 ft. 1 in.)	4.55 m (14 ft. 11 in.)	5.82 m (19 ft. 1 in.)
K Stabilizer Width, Transport		2.30 m (7 ft. 7 in.)	2.30 m (7 ft. 7 in.)	2.30 m (7 ft. 7 in.)	2.30 m (7 ft. 7 in.)	2.30 m (7 ft. 7 in.)
L Stabilizer Spread, Operating		3.45 m (11 ft. 4 in.)	3.45 m (11 ft. 4 in.)	3.45 m (11 ft. 4 in.)	3.45 m (11 ft. 4 in.)	3.45 m (11 ft. 4 in.)
M Stabilizer Overall Width, Operating		4.03 m (13 ft. 3 in.)	4.03 m (13 ft. 3 in.)	4.03 m (13 ft. 3 in.)	4.03 m (13 ft. 3 in.)	4.03 m (13 ft. 3 in.)
N Bucket Rotation		190 deg.	190 deg.	190 deg.	190 deg.	190 deg.
O Transport Height		3.94 m (12 ft. 11 in.)	3.91 m (12 ft. 10 in.)	3.91 m (12 ft. 10 in.)	3.91 m (12 ft. 10 in.)	3.91 m (12 ft. 10 in.)
Loader Dimensions/Performance						
P Bucket Dump Angle, Maximum		45 deg.			45 deg.	
Q Rollback Angle at Ground Level		40 deg.			40 deg.	
		Standard Loader Option			Tool-Carrier Loader Option	
		<i>Heavy-duty</i>	<i>Heavy-duty</i>	<i>Multipurpose</i>	<i>Heavy-duty</i>	<i>Multipurpose</i>
Bucket Capacity		1.00 m ³ (1.31 cu. yd.)	1.15 m ³ (1.50 cu. yd.)	1.00 m ³ (1.31 cu. yd.)	1.15 m ³ (1.50 cu. yd.)	1.00 m ³ (1.31 cu. yd.)
Width		2337 mm (92 in.)	2388 mm (94 in.)	2337 mm (92 in.)	2388 mm (94 in.)	2337 mm (92 in.)
Weight		521 kg (1,148 lb.)	548 kg (1,208 lb.)	816 kg (1,800 lb.)	519 kg (1,145 lb.)	788 kg (1,737 lb.)
Breakout Force		45.8 kN (10,300 lb.)	45.2 kN (10,170 lb.)	42.9 kN (9,650 lb.)	47.3 kN (10,640 lb.)	43.1 kN (9,680 lb.)
Lift Capacity, Full Height		3266 kg (7,200 lb.)	3207 kg (7,070 lb.)	2994 kg (6,600 lb.)	3091 kg (6,815 lb.)	2654 kg (5,850 lb.)
R Height to Bucket Hinge Pin, Maximum		3.35 m (11 ft. 0 in.)	3.35 m (11 ft. 0 in.)	3.35 m (11 ft. 0 in.)	3.35 m (11 ft. 0 in.)	3.40 m (11 ft. 2 in.)
S Dump Clearance, Bucket at 45 deg.		2.69 m (8 ft. 10 in.)	2.67 m (8 ft. 9 in.)	2.62 m (8 ft. 7 in.)	2.57 m (8 ft. 5 in.)	2.50 m (8 ft. 2 in.)
T Reach at Full Height, Bucket at 45 deg.		762 mm (30.0 in.)	787 mm (31.0 in.)	818 mm (32.2 in.)	787 mm (31.0 in.)	836 mm (32.9 in.)
U Digging Depth Below Ground, Bucket Level		170 mm (6.7 in.)	157 mm (6.2 in.)	182 mm (7.2 in.)	140 mm (5.5 in.)	152 mm (6.0 in.)
V Length from Front Axle Centerline to Bucket Cutting Edge		2.03 m (6 ft. 8 in.)	2.03 m (6 ft. 8 in.)	2.15 m (7 ft. 1 in.)	2.15 m (7 ft. 1 in.)	2.27 m (7 ft. 5 in.)

Lift capacities are over-end values in kg (lb.) according to SAE J31. Figures listed are 87% of the maximum lift force available. Base vehicle includes counterweight.

410K Backhoe with Standard Dipperstick

410K Backhoe with 1.22-m (4 ft.)
Extendable Dipperstick, Retracted

410K Backhoe with 1.22-m (4 ft.)
Extendable Dipperstick, Extended



410K TC Backhoe with 1.22-m (4 ft.)
Extendable Dipperstick, Retracted

410K TC Backhoe with 1.22-m (4 ft.)
Extendable Dipperstick, Extended

