

### Specifications

Model	GTH™-5519	
Measurements	US	Metric
Maximum lift height	19 ft	5.79 m
Maximum forward reach	11 ft	3.35 m
Reach at maximum height	2 ft	0.61 m
<b>A</b> Height, stowed	6 ft 4 in	1.93 m
<b>B</b> Length, stowed (without forks)	12 ft 2 in	3.70 m
Width	5 ft 11 in	1.80 m
<b>C</b> Wheelbase	7 ft 9 in	2.36 m
<b>D</b> Ground clearance, center	1 ft 1 in	0.33 m
<b>E</b> Ground clearance, axle	10 in	0.25 m
Fork cross section	1.6 x 4 in	40 x 100 mm

### Productivity

Maximum lift capacity	5,500 lbs	2,500 kg
Lift capacity at maximum height	4,400 lbs	1,995 kg
Lift capacity at maximum reach	1,900 lbs	862 kg
Drive speed	16 mph	25.8 km/h
Draw bar pull	9,200 lbs	4,173 kg
Break out force	8,100 lbs	3,674 kg
Turning radius, outside (4WS)	10 ft 7in	3.23 m
Auxiliary hydraulic flow	18.5 gpm	70 lpm
Auxiliary hydraulic pressure	3,918 psi	270 bar
Tires, standard size	12 x 16.5 in, 10 ply	

### Power

Power source	Deutz TD 2.9 L04 Tier 4f diesel 74 hp (55.4 kW) Deutz TD 2.9 L04 Tier 4i diesel 74 hp (55.4 kW)	
Electrical system	System voltage 12 volt Alternator 95 amp Battery 720 CCA at 0°F (-18°C)	
Hydraulic tank capacity	16.4 gal	62 L
Hydraulic system capacity (w/tank)	25 gal	95 L
Fuel tank capacity	15.9 gal	60 L

### Weight\*

	10,360 lbs	4,700 kg
--	------------	----------

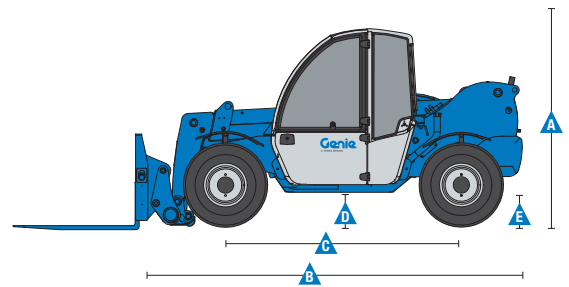
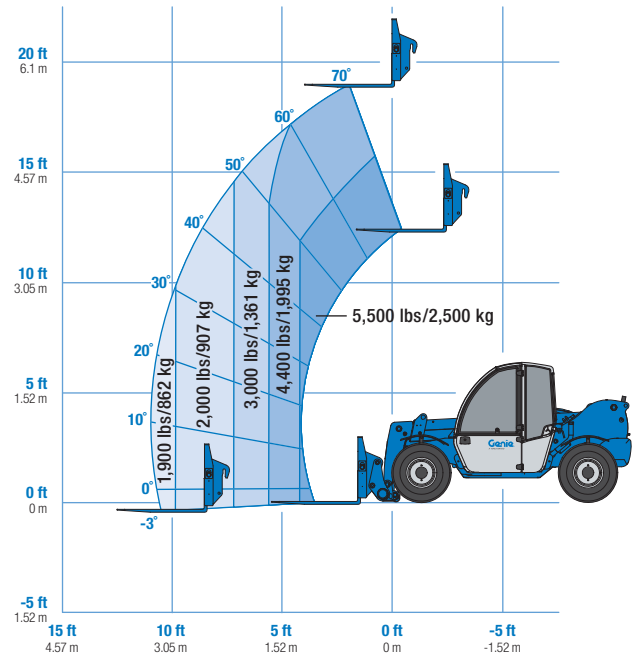
### Standards Compliance

ANSI/ITSDF B56.6, CSA B335

\* Weight will vary depending on options and/or country standards.

\*\* Load ratings vary depending on attachment.

Load Chart GTH™-5519\*\*



### Features

#### Standard Features

##### Measurements

- 5,500 lb (2,500 kg) maximum lift capacity
- 19 ft (5.79 m) maximum lift height
- 11 ft (3.35 m) maximum reach

##### Productivity

- Full time planetary 4-wheel drive
- 4WS
- Operator selectable front, crab, coordinated steering modes
- Auxiliary hydraulic circuit
- Proportional, reversible, continuous auxiliary hydraulic flow control
- Genie manual Quick-Attach™ system
- Power assisted steering
- Variable speed hydrostatic drive
- Limited slip front axle differential
- Inboard wet disc service brakes
- Wet disc spring applied parking brake
- 12 x 16.5 in, air-filled rough terrain tires
- Fenders (set of 4)
- ROPS/FOPS canopy (ISO compliant)
- Single multi-function proportional joystick
- Tilt steering column
- Illuminated gauge and switch panels
- Machine level indicator
- Right-side screen guard
- 48 inch carriage and pallet forks
- Boom angle indicator
- Reverse motion alarm
- 3 in retractable seat belt

#### Options & Accessories

##### Productivity Options

- Enclosed cab, includes split door, emergency exit, clip-in glass inserts, front wiper and tank, cab heater
- Cab air conditioner
- Adjustable suspension seat
- Flashing beacon
- Work lights (1 cab mounted front, 1 boom mounted)
- Road lights (2 front, 2 rear stop/turn/tail)

##### Engine Options

- Deutz TD 2.9 L04 Tier 4f diesel 74 hp (55.4 kW)
- Deutz TD 2.9 L04 Tier 4i diesel 74 hp (55.4 kW)

##### Tire Options

- 12 x 16.5 in, semi-pneumatic solid rough terrain tires
- 12 x 16.5 in, foam-filled tires

##### Attaching System Options

- Universal skid steer adapter
- Auxiliary hydraulic back pressure
- Hydraulic quick attach

#### Options & Accessories

##### Attachment Options

- Carriages
  - 48 in (1.22 m) side shift carriage, +/- 4 in (10 cm)
  - 48 in (1.22 m) rotating fork carriage, +/- 14°
- Forks (in addition to standard 48 in pallet forks)
  - 60 in (1.52 m) forks
  - 48 in (1.22 m) forks (ITA type)
  - Cubing tines, 2 x 2 x 48 in (.05 x .05 x 1.22 m)
- Buckets
  - 66 in bucket with bolt-on cutting edge, .50/.65 yd3 struck/heaped
  - 60 in bucket with bolt-on cutting edge, .65/.75 yd3 struck/heaped
  - 78 in, .68 yd3 scrap grapple bucket
- 6 ft truss boom



#### Genie United States

18340 NE 76th Street  
P.O. Box 97030  
Redmond, Washington 98073-9730  
Telephone +1 (425) 881-1800  
Toll Free in USA/Canada +1 (800)-536-1800  
Fax +1 (425) 883-3475

#### Genie Europe

The Maltings  
Wharf Road  
Grantham NG31 6BH  
UK  
Telephone +44 (0)1476 584333  
Fax +44 (0)1476 584334  
Email: AWP-InfoEurope@terex.com

#### Distributed By:

Effective Date: October, 2013. Product specifications and prices are subject to change without notice or obligation. The photographs and/or drawings in this document are for illustrative purposes only. Refer to the appropriate Operator's Manual for instructions on the proper use of this equipment. Failure to follow the appropriate Operator's Manual when using our equipment or to otherwise act irresponsibly may result in serious injury or death. The only warranty applicable to our equipment is the standard written warranty applicable to the particular product and sale and we make no other warranty, express or implied. Products and services listed may be trademarks, service marks or trade names of Terex Corporation and/or their subsidiaries in the USA and many other countries. Genie is a registered trademark of Terex South Dakota, Inc. © 2013 Terex Corporation.