

# Wheel Wash

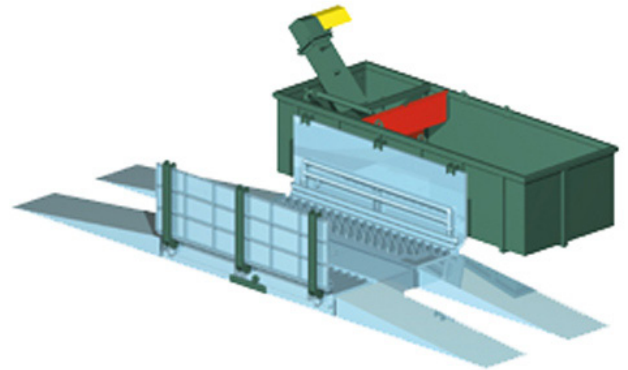
## ConLine 400MC

### Overview:

Solve your track-out problems with the modular Wheel Wash system. MobyDick, the worldwide leader in wheel wash technology has joined forces with Rain for Rent for temporary use Wheel Wash systems on remediation, construction and any jobsite that needs the benefit of an efficient and cost effective wheel wash system.

### Features:

- Automatic on-off operation via optical sensor, Easy-to-clean, spray nozzles.
- Water recycling with flocculent dosing and automatic solids removal via scraper conveyor.
- Two pump redundant design ensures water supply to wash platform.
- Hot dipped galvanized heavy-gauge wash platform handles 33,069 lbs per axle.
- Reduce Costs by eliminating pressure washers and labor.
- Decrease truck throughput time from 6-9 minutes to 45 seconds.
- Reduce or eliminate street sweeper hours.
- Ensure compliance with regulators and eliminate risk of shutdown.
- Small footprints and multiple layout configurations available to fit any jobsite space constraints.
- High flow, low pressure for superior cleaning without impact to truck seals and brakes.
- Advanced spray pattern technology cleans tires thoroughly without distorting driver visibility.

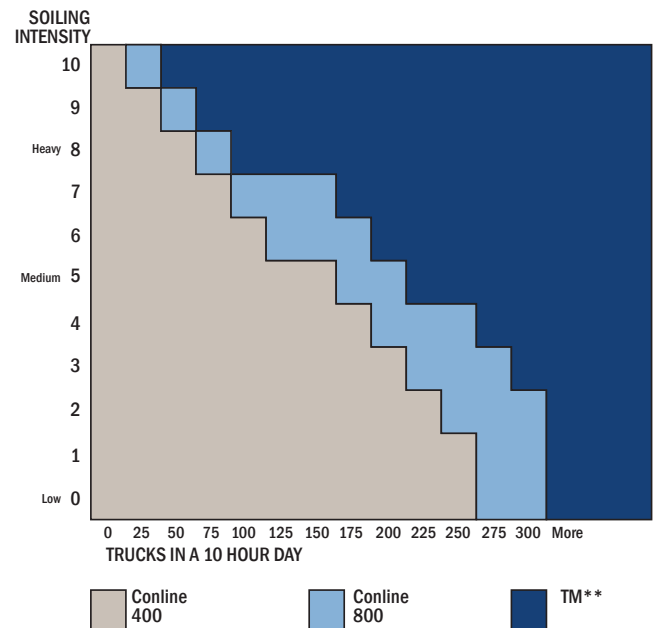


### Specs:

Splash Wall Height	4.5 Feet
Max trucks per 10 hour day	150, medium soiling
Footprint	37' x 20'
Dry weight	12,500 lbs.
Power Requirement	15.4 HP
Connected Load	35A, 480 Volts

### Accessories:

- Portable Generator
- Filtration
- Flocculant for superior solids settling



PUMPS • TANKS • FILTRATION • PIPE • SPILLGUARDS

Rain for Rent is a registered trademark of Western Oilfields Supply Company. Features and specifications are subject to change without notice.

Liquid ingenuity.™

800-742-7246  
rainforrent.com