

SERIOUS TRUCKS



CONSTRUCTION

4700	4800	4900	6900
SF SB	SF SB TS	SF SB EX XD TS	XD TS



Serious trucks.™

IT'S YOU AGAINST THE JOB. WE BET ON YOU.



To win, all you need is the right truck, and that truck is the Western Star. It flat out works, day after day. No excuses. No complaints. That's because this is the work truck that was built to be a work truck. And we have a whole family that can be customized to do whatever you need.

In fact, building trucks exactly how you want them is something we've been doing since the first one came off the line over 40 years ago – each one ready to take on any job with the guts to come back for more. Durable, reliable and rugged. No wonder Stars are the trucks real pros turn to.





A nice place to call work.

The cab of the Western Star is built to make the job easier. Easy to get in and out of. Greater visibility. More leg room. More storage. More space between seats. And a completely new interior. You might feel spoiled. Almost.



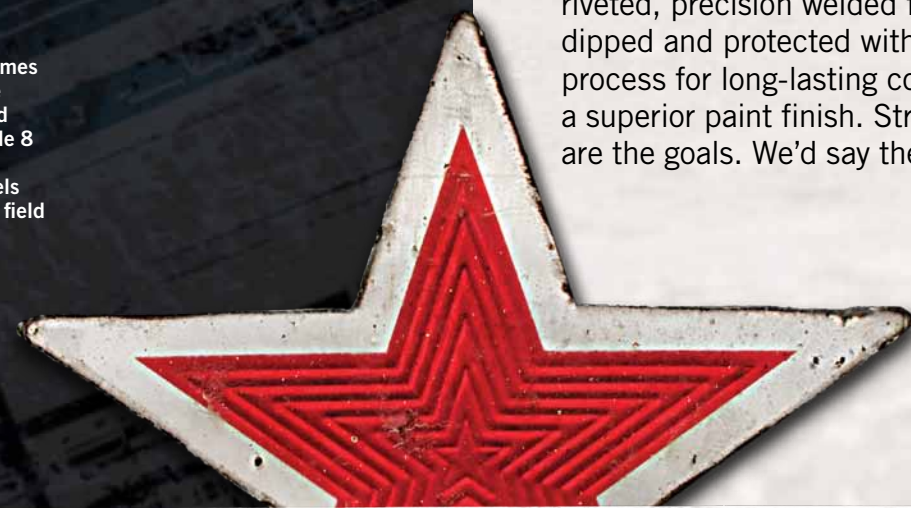
START WITH THE RIGHT FOUNDATION.

Western Star gives you a wide selection of choices to create the perfect spec for your application. With several frame rail options and wheelbase lengths available in one-inch increments from 150 inches to over 400, our flexibility is a big reason why we can build the exact truck you need.



STAY IN THE FIELD.

You work your trucks hard, so sometimes they need a little attention. Stars are designed for incredible durability and serviceability, with features like Grade 8 frame fasteners and copper brass radiators, as well as in-cab fuse panels so you can make quick repairs in the field and keep on working.



All hail the steel cab.

No aluminum or rivets here. Our galvanized steel cabs are built to keep you safe. Extra gussets and reinforcements, bonded instead of riveted, precision welded for strength, then dipped and protected with a 17-stage e-coat process for long-lasting corrosion resistance and a superior paint finish. Strength and longevity are the goals. We'd say they've been exceeded.



Twin steer and more. Straight from the factory.

With Western Star, you can add factory-installed twin steer or all-wheel drive options, as well as factory drop axles, to create the right truck for your job. You get what you need at a lower cost, all backed by manufacturer support and a single factory warranty. And if you're looking for suggestions, our Customer Application Engineering Department is standing by to help you create the right truck for the job.



READY, WILLING AND MORE THAN ABLE.

Western Star trucks are built to perform, with the high-quality components that stand up to the challenge of hard work. Sure, you can buy a cheaper truck. But that only costs you in the long run.

To us, close enough just isn't good enough.

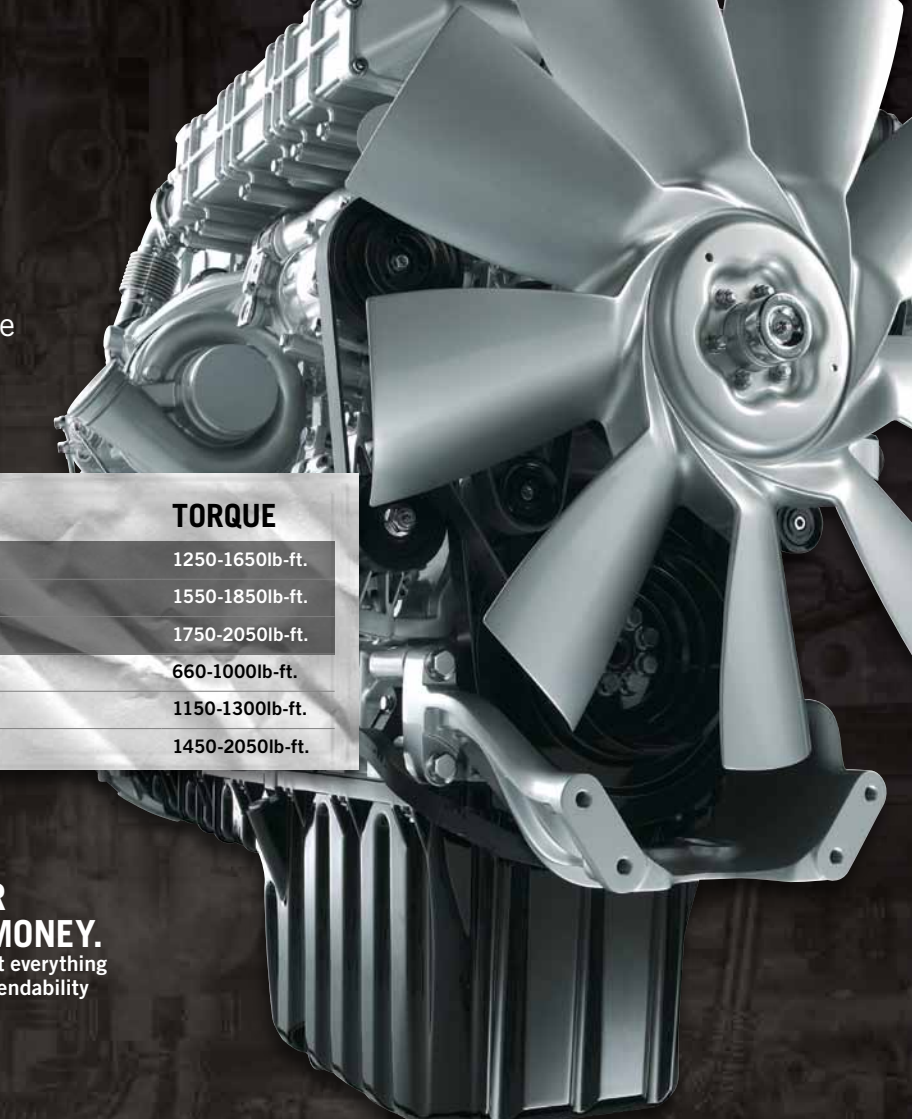
When it comes to choosing an engine, close enough should never enter the conversation. So for construction applications, we offer a variety of engines with horsepower and torque ratings to match your job. Getting what you want has never been easier.

ENGINE	HORSEPOWER	TORQUE
DETROIT DIESEL DD13	350-450	1250-1650lb.-ft.
DETROIT DIESEL DD15	455-560	1550-1850lb.-ft.
DETROIT DIESEL DD16	475-600	1750-2050lb.-ft.
CUMMINS ISC	260-350	660-1000lb.-ft.
CUMMINS ISL	345-380	1150-1300lb.-ft.
CUMMINS ISX15	400-600	1450-2050lb.-ft.

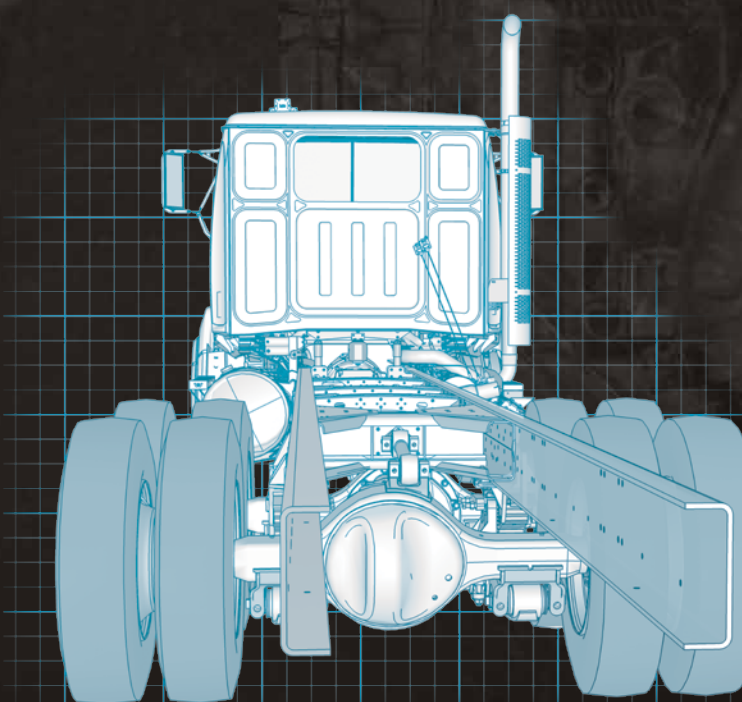


EFFICIENCY. JUST ANOTHER WAY TO MAKE YOU SOME MONEY.

With BlueTec® emissions technology, you get everything you need to run profitably. Great power, dependability and up to 5% better fuel economy.*



DETROIT DIESEL DD15



BODY BUILDER FRIENDLY.

We make trucks with the body builder-specific options that are designed to reduce installation time and ensure years of trouble-free operation. Plus, since we build each truck to your specifications, anything is possible. Pre-punched frame rails, front frame extensions, point-to-point power distribution, ample room between the seats to install controls and the list goes on. Just ask your dealer.

WESTERNSTAR.COM



4700

SF SET FORWARD AXLE

A	BBC: 110"
B	WB: Up to 300"
C	BA: 29"

SB SET BACK AXLE

A	BBC: 110"
B	WB: Up to 300"
C	BA: 47"

4800

SF SET FORWARD AXLE

A	BBC: 109"
B	WB: Up to 448"
C	BA: 33"

SB SET BACK AXLE

A	BBC: 109"
B	WB: Up to 448"
C	BA: 50"

TS TWIN STEER, SF SB

A	BBC: 109"
B	WB: Up to 448"
C	BA: 33"(SF) / 50"(SB)

4900

SF SET FORWARD AXLE

A	BBC: 123"
B	WB: Up to 448"
C	BA: 33"

SB SET BACK AXLE

A	BBC: 123"
B	WB: Up to 448"
C	BA: 50"

EX EXTENDED HOOD

A	BBC: 132"
B	WB: Up to 448"
C	BA: 33"

XD EXTREME DUTY

A	BBC: 123"
B	WB: Up to 448"
C	BA: 50"

TS TWIN STEER

A	BBC: 123"
B	WB: Up to 448"
C	BA: 50"

6900

XD EXTREME DUTY

A	BBC: 141"
B	WB: Up to 486"
C	BA: 59"

TS TWIN STEER

A	BBC: 141"
B	WB: Up to 486"
C	BA: 59"

SF, SB



For the Western Star Dealer nearest you, call 1-866-850-STAR | WESTERNSTAR.COM

WS/MC-B-396. Specifications subject to change without notice. Western Star Truck Sales, Inc. is registered to ISO 9001:2000 and ISO 14001:2004. Copyright © 2011 Daimler Trucks North America LLC. All rights reserved. Western Star Truck Sales, Inc. is a subsidiary of Daimler Trucks North America LLC, a Daimler Company.