

60G Excavator

39.6 kW (53 net hp)



JOHN DEERE

FEATURES

Meets EPA Final Tier 4 (FT4)/EU Stage IV engine standards. Delivers a seamless operator experience with no machine performance interruptions during the regeneration process. Six-percent increase in fuel efficiency in economy mode.

Larger front windshield provides even better visibility; wider entryway eases entrance to/exit from the more spacious operator station.

Multifunction monitor displays vital machine operating info, tracks engine and hydraulic oil maintenance intervals, and provides access to auto shutdown and economy/power modes.

Standard joystick pattern changer and auxiliary hydraulics.

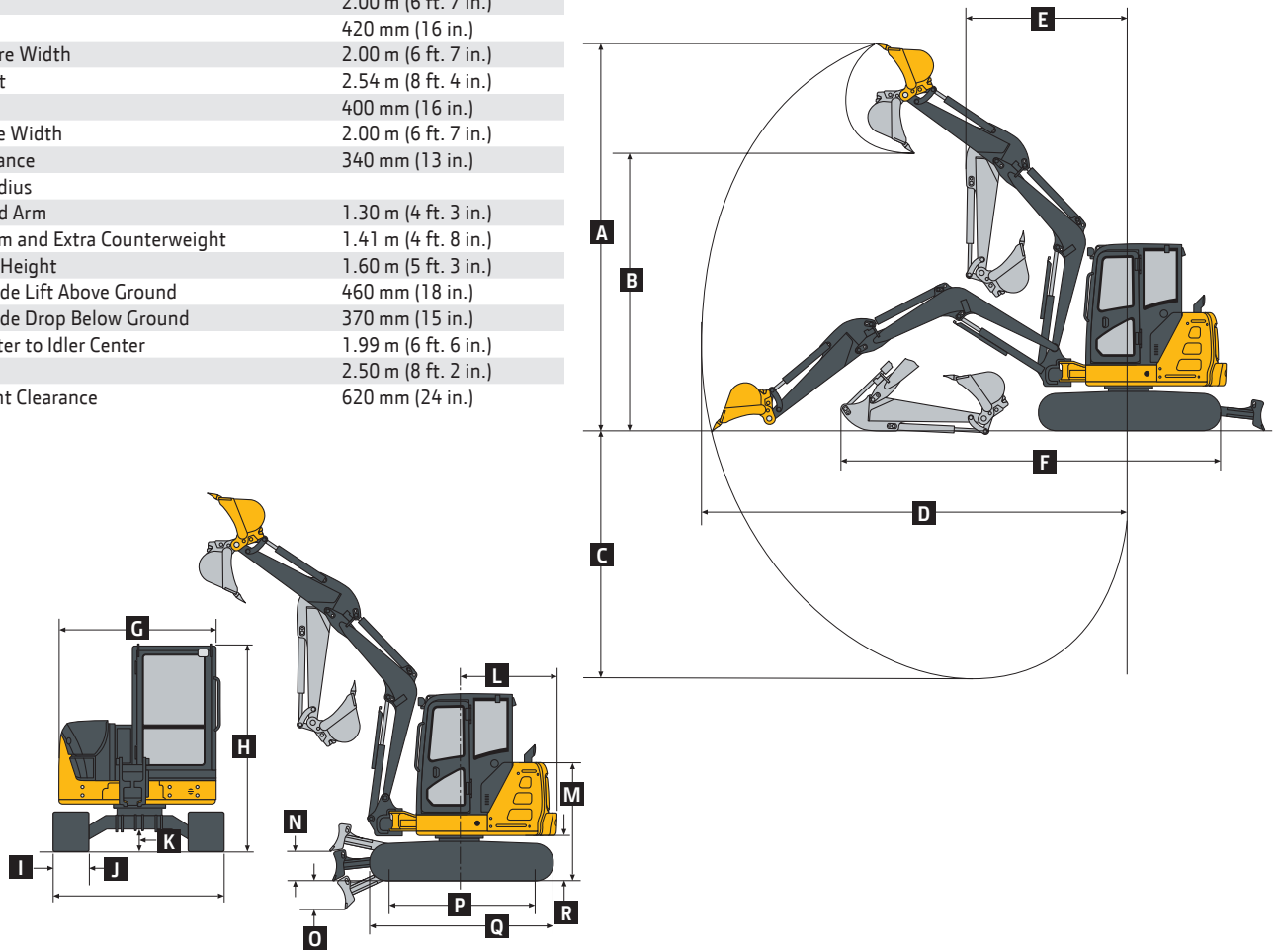
A service door provides easy access to side-by-side cooler cores, fuel filter/water separator, coolant overflow reservoir, battery, and Service ADVISOR™ connection.



Engine	60G			
Manufacturer and Model	Yanmar 4TNV98C-WHB			
Non-Road Emission Standard	EPA Final Tier 4/EU Stage IV			
Displacement	3.3 L (203 cu. in.)			
Net Power (ISO 9249)	39.6 kW (53 hp) at 2,000 rpm			
Powertrain				
Maximum Travel Speed				
Low	2.9 km/h (1.8 mph)			
High	4.8 km/h (3.0 mph)			
Hydraulics				
Main Pumps	One variable-displacement pump			
Maximum Rated Flow	144 L/m (38.0 gpm)			
Auxiliary Flow	92 L/m (24.2 gpm)			
Upperstructure				
Swing Speed	9.5 rpm			
Independent Swing Boom	<i>Canopy</i>	<i>Cab</i>		
Left	80 deg.	80 deg.		
Right	60 deg.	60 deg.		
Counterweight				
Standard	745 kg (1,642 lb.)			
Additional	270 kg (595 lb.)			
Operating Weights				
	<i>1500-mm (4 ft. 11 in.) Standard Arm, Standard Counterweight, and Rubber Tracks</i>	<i>1500-mm (4 ft. 11 in.) Standard Arm, Standard Counterweight, and Steel Tracks</i>	<i>1850-mm (6 ft. 1 in.) Long Arm, Extra Counter- weight, and Rubber Tracks</i>	<i>1850-mm (6 ft. 1 in.) Long Arm, Extra Counter- weight, and Steel Tracks</i>
With 0.22-m ³ (7.8 cu. ft.) Bucket, Full Fuel Tank, and 79-kg (175 lb.) Operator	6145 kg (13,547 lb.)	6245 kg (13,768 lb.)	6443 kg (14,204 lb.)	6543 kg (14,425 lb.)
Optional Angle Blade	458 kg (1,010 lb.)			

Operating Dimensions		60G	
		1500-mm (4 ft. 11 in.) Standard Arm	1850-mm (6 ft. 1 in.) Long Arm
A	Maximum Cutting Height	5.96 m (19 ft. 7 in.)	6.19 m (20 ft. 4 in.)
B	Maximum Dumping Height	4.17 m (13 ft. 8 in.)	4.41 m (14 ft. 6 in.)
C	Maximum Digging Depth	3.77 m (12 ft. 4 in.)	4.12 m (13 ft. 6 in.)
D	Maximum Digging Reach	6.23 m (20 ft. 5 in.)	6.56 m (21 ft. 6 in.)
E	Minimum Front Swing Radius	2.45 m (8 ft. 0 in.)	2.54 m (8 ft. 4 in.)
F	Transport Length	5.76 m (18 ft. 11 in.)	5.90 m (19 ft. 4 in.)
Breakout Force (ISO 6015)			
	Bucket	41.1 kN (9,237 lb.)	41.0 kN (9,217 lb.)
	Arm	31.1 kN (6,989 lb.)	27.0 kN (6,063 lb.)

Machine Dimensions	
Blade	
Width	2.00 m (6 ft. 7 in.)
Height	420 mm (16 in.)
G	Upperstructure Width
H	Overall Height
I	Track Width
J	Undercarriage Width
K	Ground Clearance
L	Tail-Swing Radius
	With Standard Arm
	With Long Arm and Extra Counterweight
M	Engine Cover Height
N	Maximum Blade Lift Above Ground
O	Maximum Blade Drop Below Ground
P	Sprocket Center to Idler Center
Q	Track Length
R	Counterweight Clearance



Lift Capacities									
Ground Level at 3.05-m (10 ft.) Radius	Standard Counterweight and Rubber Tracks		Standard Counterweight and Steel Tracks		Additional Counterweight and Rubber Tracks		Additional Counterweight and Steel Tracks		
	Over Front*	Over Side	Over Front*	Over Side	Over Front*	Over Side	Over Front*	Over Side	
Arm									
1500-mm (4 ft. 11 in.) Standard	3785 kg (8,345 lb.)	1463 kg (3,225 lb.)	3785 kg (8,345 lb.)	1490 kg (3,284 lb.)	3785 kg (8,345 lb.)	1657 kg (3,652 lb.)	3785 kg (8,345 lb.)	1683 kg (3,711 lb.)	
1850-mm (6 ft. 1 in.) Long	3719 kg (8,198 lb.)	1444 kg (3,184 lb.)	3719 kg (8,198 lb.)	1471 kg (3,243 lb.)	3719 kg (8,198 lb.)	1638 kg (3,612 lb.)	3719 kg (8,198 lb.)	1665 kg (3,671 lb.)	

*Blade down (limited by hydraulics).

