

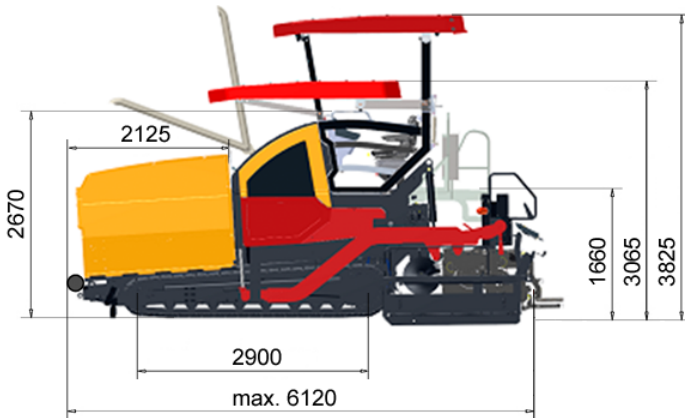
DYNAPAC

Part of the Atlas Copco Group

SD2500CS Tracked pavers



Technical data



Dimensions	SD2500CS
Basic width	2.55 m
Working width, maximum	10.00 m
Working width, minimum (with reducing shoe)	2.0 m
Masses	
Weight	18.50 t
Capacity	
Minimum paving level	150 mm
Placement thickness (max)	320 mm
Theoretical placement capacity	800 t/ h
Material hopper	
Capacity	6.5 m ³ (15.0 t)
Dumping height, center	555 mm
Dumping height, outside	560 mm
Hopper width, internal	3,610 mm
Traction	
Paving speed	up to 28 m/ min
Transport speed	4 km/ h
Engine	
Manufacturer/ Model	Cummins QSB 6.7- C190
Rated power, SAE J1995	142 kW (193 hp) @ 2200 rpm with infinitely variable eco- mode
Electrical system	24 V
Fuel tank capacity	350 l
Operation	
Operator console	Slidable left / right
Undercarriage	
Crawler length	2,900 mm
Crawler width	320 mm
Conveyor	
Conveyor type	Dual bar feeder
Auger	
Auger diameter	380 mm

Find your local dealer at www.dynapac.com

We reserve the right to change specifications without notice. Photos and illustrations do not always show standard versions of machines. The above information is a general description only, all informations are supplied without liability.